

Catalogue

PE2-PA WIRED SUBMERSIBLE MOTORS

6"/7"/8"/10"



professional water handling





professional water handling



Our first principle is: "Absolute Quality"

It is always a part of our service policy to maximize customer satisfaction.

We know very well that being a trusted partner is not an easy process.

Our quality standards for our manufacturing, sales and after-sales services have been audited in accordance with the requirements and certified by authorized institutions. For this reason, Tork has the required ISO 9001:2015 Quality Management Systems Certifications and CE Attestation of Conformity Certifications.



PE2+PA WINDING WIRED SUBMERSIBLE MOTORS

6"/7"/8"/10"

Usage Areas

- ▶ Agricultural, Municipal, Industrial Usage
- ▶ Water Wells
- ▶ Mining
- ▶ Fountains
- ▶ Booster Systems

PE2+PA WINDING WIRED SUBMERSIBLE MOTORS

6"/7"/8"/10"



- High quality PE2+PA winding wires
- High efficiency provides operation cost savings
- Water coolant system
- Flange with NEMA standards
- Maximum ambient water temperature 50°C (70°C is optional)
- Standard voltage 380/460V - 50/60Hz (±%10)
- Availability to be operated by Soft-Starter
- CW & CCW direction of rotation.
- Our motors can be operated horizontally in pools and wells which are not deep enough

PE2+PA Winding Wire

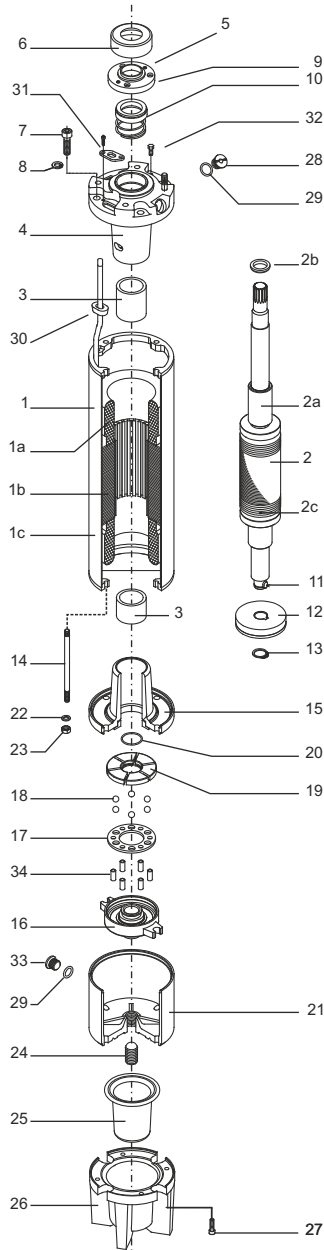
Our submersible motors get their power from the PE2+PA winding wire used as standard. This wire, consisting of a single copper conductor, has a very high insulation resistance. PE2 (Polyethylene) provides electrical isolation, PA (Polyamide) provides mechanical protection. Increased heat resistance is achieved by cross-linking of polyethylene. In this way, our submersible motors offers outstanding performance at high voltage and temperatures up to 50°C. At the same time it ensures trouble-free operation and a long service life of the motors for many years.

Cable Selection Table

Type	D.O.L.		Y-Delta	
	mm ²	n	mm ²	n
TM 6 T WL-5.5	3x2,5	1	3x2,5	2
TM 6 T WL-7.5	3x2,5	1	3x2,5	2
TM 6 T WL-10	3x2,5	1	3x2,5	2
TM 6 T WL-12.5	3x2,5	1	3x2,5	2
TM 6 T WL-15	3x4	1	3x4	2
TM 6 T WL-17.5	3x4	1	3x4	2
TM 6 T WL-20	3x4	1	3x4	2
TM 6 T WL-25	3x6	1	3x4	2
TM 6 T WL-30	3x6	1	3x4	2
TM 6 T WL-35	3x10	1	3x6	2
TM 6 T WL-40	3x16	1	3x6	2
TM 6 T WL-50	3x16	1	3x6	2
TM 6 T WL-60	3x16	1	3x6	2
TM 7 T WL-30	3x6	1	3x4	2
TM 7 T WL-35	3x10	1	3x6	2
TM 7 T WL-40	3x16	1	3x6	2
TM 7 T WL-50	3x16	1	3x6	2
TM 7 T WL-60	3x16	1	3x10	2
TM 7 T WL-70	3x16	1	3x10	2
TM 7 T WL-75	3x16	1	3x10	2
TM 7 T WL-80	3x16	1	3x10	2
TM 7 T WL-90	3x16	1	3x10	2

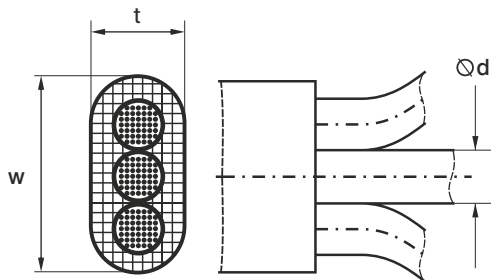
Type	D.O.L.		Y-Delta	
	mm ²	n	mm ²	n
TM 8 T WL-40	3x16	1	3x10	2
TM 8 T WL-50	3x16	1	3x10	2
TM 8 T WL-60	3x16	1	3x10	2
TM 8 T WL-70	3x16	1	3x10	2
TM 8 T WL-75	3x16	1	3x10	2
TM 8 T WL-80	3x16	1	3x10	2
TM 8 T WL-90	3x16	1	3x10	2
TM 8 T WL-100	3x25	1	3x16	2
TM 8 T WL-110	3x25	1	3x16	2
TM 8 T WL-125	3x25	1	3x16	2
TM 8 T WL-135	3x25	1	3x16	2
TM 8 T WL-150	3x25	1	3x16	2
TM 10 T WL-100	3x25	1	3x16	2
TM 10 T WL-110	3x25	1	3x25	2
TM 10 T WL-125	3x25	1	3x25	2
TM 10 T WL-150	3x35	1	3x25	2
TM 10 T WL-175	3x35	2	3x25	2
TM 10 T WL-200	3x35	2	3x25	2
TM 10 T WL-225	3x35	2	3x25	2
TM 10 T WL-250	-	-	3x35	2
TM 10 T WL-300	-	-	3x35	2

PE2-PA Wired Submersible Motor Parts & Materials



No	Part Name	Material
1	Stator	-
1a	Winding Wire	PE2 / PA
1b	Stator Package	M350 / Magnetic Seal
1c	Stator Shell	AISI 304
2	Rotor	-
2a	Shaft Sleeve	St 37 (Coated CrNi)
2b	Balance Ring	St 37
2c	Copper Ring	Cu
3	Radial Bearing	Carbon
4	Upper Bearing Body	GG20-22
5	Bushing	Bronze
6	Slinger (Sand Guard)	NBR_EPDM
7	Hexagon Socket Cap Screws	Inox
8	Copper Ring	Cu
9	Cover Seal	AISI 420
10	Mechanical Seal	Ceramic Carbon
11	Axial Thrust Bearing Key	AISI 420
12	Axial Thrust Bearing	Carbon With Antimony
13	Retaining Ring	St 37
14	Tie Rod	Inox
15	Lower Bearing Body	GG20-22
16	Thrust Bearing Support	GG20-22
17	Ball Holder	St 37 (Coated Cr+3)
18	Thrust Bearing Ball	Inox
19	Tilting Pads	AISI 420
20	O-ring	NBR 70
21	Thrust Bearing Body	GG20
22	Copper Ring	Cu
23	Nut	Inox
24	Screw (Thrust Bearing Base)	Inox
25	Membrane	NBR-EPDM
26	Membrane Body	GG22
27	Hexagon Socket Cap Screws	Inox
28	Check-Valve	Bronze
29	O-ring	NBR 70
30	Cable Seal	NBR
31	Seal Cover	AISI 304
32	Nut	Inox
33	Plush (r 3/8")	Bronze
34	Ball Holder Pins	Inox

Cable Dimensions



Cable Type	Thickness	Width	Diameter
	(t) mm	(w) mm	(d) mm
3x2,5	6,4	15	3,6
3x4	7,1	16,5	4,1
3x6	8	18,3	4,6
3x10	8,8	21,8	6
3x16	10,5	25,4	7
3x25	12	33	9
3x35	13,5	34,5	10,1
4x2,5	18	18	3,6
4x4	20,2	20,2	4,1
4x6	22,4	22,4	4,6
4x10	28	28	6
4x16	33,7	33,7	7
4x25	40,1	40,1	9

TM 6 T WL - 50Hz

PE2+PA Winding Wired Submersible Motors



6" Nema Connection Standart / Water Lubricated / 142 mm Outside Diameter / Three Phase / 50Hz

50Hz Performance Data

Motor Type	P _N		Axial Load kN	Voltage V	n _N rpm	I _N A	I _A A	Efficiency (% load)			Cos φ (% load)			Length mm	Weight kg
	HP	kW						50	75	100	50	75	100		
TM 6 T WL-5.5	5,5	4	20	380	2770	10,2	39,4	67	71	71	63	71	84	649	40
				400	2785	9,8	37,8	68	72	72	59	67	82		
				415	2795	9,5	36,9	68	72	72	57,5	66	81		
TM 6 T WL-7.5	7,5	5,5	20	380	2780	13,3	52,7	70	73	75	63	71	84	649	40
				400	2795	12,8	50,6	71	74	76	59	67	82		
				415	2805	12,3	48,7	72	75	77	57,5	66	81		
TM 6 T WL-10	10	7,5	20	380	2790	17,2	66,4	77	79	79	63	71	84	678	43,5
				400	2805	16,5	63,8	79	80	80	59	67	82		
				415	2815	16,1	62,2	79	80	80	57,5	66	81		
TM 6 T WL-12.5	12,5	9,3	20	380	2850	20,8	80,3	80	81	81	63	71	84	758	50
				400	2855	20,2	78,1	80	81	81	59	67	82		
				415	2865	19,5	75,3	81	82	82	57,5	66	81		
TM 6 T WL-15	15	11	20	380	2810	23,7	91,6	81	82	82	67	75	86	800	55
				400	2825	22,8	88,0	82	83	83	63	71	84		
				415	2835	22,2	85,9	82	83	83	61	69	83		
TM 6 T WL-17.5	17,5	13	20	380	2820	28,7	110,9	80	81	81	65	73	85	851	60
				400	2835	27,6	106,6	81	82	82	61	69	83		
				415	2845	26,6	102,7	82	83	83	59	67	82		
TM 6 T WL-20	20	15	20	380	2850	33,1	127,9	80	81	81	65	73	85	911	65
				400	2855	32,2	124,5	80	81	81	61	69	83		
				415	2865	31,0	120,0	81	82	82	59	67	82		
TM 6 T WL-25	25	18,5	20	380	2850	41,8	161,6	80	81	81	61	69	83	973	72
				400	2865	40,2	155,4	81	82	82	57,5	66	81		
				415	2875	38,8	149,8	82	83	83	56,5	65	80		
TM 6 T WL-30	30	22	20	380	2860	48,5	187,6	81	82	82	63	71	84	1.006	76
				400	2875	46,7	180,3	82	83	83	59	67	82		
				415	2885	45,0	173,9	83	84	84	57,5	66	81		
TM 6 T WL-35	35	26,5	26,5	380	2870	56,4	217,9	83	84	84	65	73	85	1.106	87
				400	2885	54,9	212,0	83	84	84	61	69	83		
				415	2895	52,9	204,4	84	85	85	59	67	82		
TM 6 T WL-40	40	30	26,5	380	2880	64,6	249,7	82	83	83	65	73	85	1.217	98
				400	2895	62,1	240,0	83	84	84	61	69	83		
				415	2905	59,9	231,4	84	85	85	59	67	82		
TM 6 T WL-50	50	37	26,5	380	2890	79,7	315,6	80	81	83	65	73	85	1.247	103
				400	2905	76,7	303,3	81	82	84	61	69	83		
				415	2915	74,7	288,8	83	84	84	59	67	82		
TM 6 T WL-60	60	45	26,5	380	2890	96,9	374,7	82	81	83	65	73	85	1.347	110
				400	2905	93,2	360,2	81	82	84	61	69	83		
				415	2915	87,7	339,0	83	84	84	59	67	85		

Tork Pumps has the rights of specification amendments due to the continuous R&D improvements.

TM 7 T WL - 50Hz

PE2+PA Winding Wired Submersible Motors



6" Nema Connection Standart / Water Lubricated / 172 mm Outside Diameter / Three Phase / 8" Slimline Edition / 50Hz

50Hz Performance Data

Motor Type	P _N		Axial Load kN	Voltage V	n _N rpm	I _N A	I _A A	Efficiency (% load)			Cos φ (% load)			Length mm	Weight kg
	HP	kW						50	75	100	50	75	100		
TM 7 T WL-30	30	22	45	380	2880	46,3	235	83	84	84	76	82	86	840	81
				400	2900	44,5	225	82	84	85	75	81	85		
				415	2910	43,4	219	81	84	85	70	77	83		
TM 7 T WL-35	35	26,5	45	380	2880	55,1	279	84	85	85	76	82	86	890	86
				400	2900	52,9	269	83	85	85	75	81	85		
				415	2910	51,6	262	82	85	86	70	77	83		
TM 7 T WL-40	40	30	45	380	2880	62,4	312	85	86	85	66	82	86	940	91
				400	2900	59,2	300	84	86	86	75	81	85		
				415	2910	57,8	294	83	86	87	70	77	83		
TM 7 T WL-50	50	37	45	380	2880	74,3	377	85	86	86	78	85	88	980	103
				400	2900	72,2	366	84	86	86	75	82	86		
				415	2910	70,4	358	83	86	87	71	80	84		
TM 7 T WL-60	60	45	45	380	2870	90,3	459	85	86	86	76	84	88	1.060	113
				400	2890	87,8	446	84	86	86	75	83	86		
				415	2900	85,7	435	83	86	87	74	80	84		
TM 7 T WL-70	70	52	45	380	2860	105,6	537	85	86	86	78	83	87	1.139	127
				400	2880	102,7	522	85	86	86	76	82	85		
				415	2890	100,2	509	84	86	87	73	79	83		
TM 7 T WL-75	75	55	45	380	2900	112,9	554	85	85	84	76	84	88	1.218	138
				400	2905	109,8	540	84	85	84	75	83	86		
				415	2910	107,1	518	83	85	85	74	80	84		
TM 7 T WL-80	80	60	45	380	2900	123,3	596	85	85	84	76	84	88	1.250	149
				400	2905	119,9	580	84	85	84	75	83	86		
				415	2905	116,9	565	83	85	85	74	80	84		
TM 7 T WL-90	90	67	45	380	2895	137,7	666	85	85	84	76	84	88	1.282	160
				400	2900	133,9	647	84	85	84	75	83	86		
				415	2905	130,5	631	83	85	85	74	80	84		

Tork Pumps has the rights of specification ammendments due to the continous R&D improvements.

TM 8 T WL - 50Hz

PE2+PA Winding Wired Submersible Motors



8" Nema Connection Standart / Water Lubricated / 192 mm Outside Diameter / Three Phase / 50Hz

50Hz Performance Data

Motor Type	P _N		Axial Load kN	Voltage V	n _N rpm	I _N A	I _A A	Efficiency (% load)			Cos φ (% load)			Length mm	Weight kg
	HP	kW						50	75	100	50	75	100		
TM 8 T WL-40	40	30	45	380	2850	61,7	239	82	83	83	75	80	89	996	120
				400	2865	59,3	229	83	84	84	69	76	87		
				415	2875	57,8	223	83	84	84	67	75	86		
TM 8 T WL-50	50	37	45	380	2860	74,3	287	84	85	85	75	80	89	1.056	129
				400	2875	71,4	276	85	86	86	69	76	87		
				415	2885	69,6	269	85	86	86	67	75	86		
TM 8 T WL-60	60	45	45	380	2860	90,4	349	84	85	85	75	80	89	1.116	138
				400	2875	86,8	336	85	86	86	69	76	87		
				415	2885	84,6	327	85	86	86	67	75	86		
TM 8 T WL-70	70	52	45	380	2850	103,3	399	84	85	85	77	83	90	1.201	152
				400	2865	99,2	383	85	86	86	72	78	88		
				415	2875	96,7	374	85	86	86	69	76	87		
TM 8 T WL-75	75	55	45	380	2850	110,5	427	83	84	84	77	83	90	1.286	170
				400	2865	107,4	415	83	84	84	72	78	88		
				415	2875	103,5	400	84	85	85	69	76	87		
TM 8 T WL-80	80	60	45	380	2850	119,1	460	85	86	86	75	80	89	1.286	170
				400	2865	115,7	447	85	86	86	69	76	87		
				415	2875	112,9	436	85	86	86	67	75	86		
TM 8 T WL-90	90	67	45	380	2850	134,6	520	84	85	85	75	80	89	1.341	185
				400	2865	129,3	499	85	86	86	69	76	87		
				415	2875	126,0	487	85	86	86	67	75	86		
TM 8 T WL-100	100	75	45	380	2850	150,7	582	83	84	84	77	83	90	1.366	186
				400	2865	144,7	559	84	85	85	72	78	88		
				415	2875	141,1	545	84	85	85	69	76	87		
TM 8 T WL-110	110	81	55	380	2855	162,7	629	84	85	85	75	80	89	1.391	195
				400	2860	156,3	604	85	86	86	69	76	87		
				415	2865	152,4	589	85	86	86	67	75	86		
TM 8 T WL-125	125	92	55	380	2820	184,8	714	84	85	85	75	80	89	1.471	210
				400	2835	177,5	686	85	86	86	69	76	87		
				415	2850	173,1	669	85	86	86	67	75	86		
TM 8 T WL-135	135	100	55	380	2920	200,8	776	84	85	85	75	80	89	1.536	225
				400	2925	192,9	746	85	86	86	69	76	87		
				415	2935	188,1	727	85	86	86	67	75	86		
TM 8 T WL-150	150	110	55	380	2900	218,5	844	84	85	85	74	80	90	1.601	235
				400	2910	207,4	802	85	86	86	69	76	89		
				415	2915	199,9	773	85	86	86	67	75	89		

Tork Pumps has the rights of specification amendments due to the continuous R&D improvements.

TM 10 T WL - 50Hz

PE2+PA Winding Wired Submersible Motors



8" Nema Connection Standart / Water Lubricated / 231 mm Outside Diameter / Three Phase / 50Hz

50Hz Performance Data

Motor Type	P _N		Axial Load	Voltage	n _N	I _N	I _A	Efficiency (% load)			Cos φ (% load)			Length	Weight
	HP	kW						kN	V	rpm	A	A	50		
TM 10 T WL-110	110	81	75	380	2880	159	615	84	85	85	78,5	84	91	1.310	228
				400	2895	153	590	85	86	86	74,5	80	89		
				415	2905	147	569	86	87	87	71,5	78	88		
TM 10 T WL-125	125	92	75	380	2890	179	690	85	86	86	78,5	84	91	1.370	256
				400	2905	174	671	85	86	86	74,5	80	89		
				415	2915	169	654	85	86	86	71,5	78	88		
TM 10 T WL-150	150	110	75	380	2890	216	835	85	86	86	77,0	83	90	1.430	284
				400	2905	210	811	85	86	86	71,5	78	88		
				415	2915	205	791	85	86	86	68,5	76	87		
TM 10 T WL-175	175	129	75	380	2910	248	957	86	87	87	78,5	84	91	1.510	311
				400	2925	238	919	87	88	88	74,5	80	89		
				415	2935	232	896	87	88	88	71,5	78	88		
TM 10 T WL-200	200	147	75	380	2900	282	1090	86	87	87	78,5	84	91	1.610	338
				400	2915	274	1059	86	87	87	74,5	80	89		
				415	2925	264	1020	87	88	88	71,5	78	88		
TM 10 T WL-225	225	166	75	380	2890	322	1245	85	86	86	78,5	84	91	1.740	370
				400	2905	309	1196	86	87	87	74,5	80	89		
				415	2915	302	1165	86	87	87	71,5	78	88		
TM 10 T WL-250	250	185	75	380	2895	359	1388	85	86	86	78,5	84	91	1.820	400
				400	2905	349	1348	85	86	86	74,5	80	89		
				415	2915	336	1299	86	87	87	71,5	78	88		
TM 10 T WL-300	300	220	75	380	2895	427	1.651	85	86	86	79	84	91	1.820	405
				400	2905	415	1.604	85	86	86	75	80	89		
				415	2915	400	1.546	86	87	87	72	78	88		

Tork Pumps has the rights of specification ammendments due to the continous R&D improvements.

TM 6 T WL - 60Hz

PE2+PA Winding Wired Submersible Motors



6" Nema Connection Standart / Water Lubricated / 142 mm Outside Diameter / Three Phase / 60Hz

60Hz Performance Data

Motor Type	P _N		Axial Load kN	Voltage V	n _N rpm	I _N A	I _A A	Efficiency (% load)			Cos φ (% load)			Length mm	Weight kg
	HP	kW						50	75	100	50	75	100		
TM 6 T WL-5.5	5,5	4	20	460	3350	8,4	44	69	70	70	65	74	85	649	40
TM 6 T WL-7.5	7,5	5,5	20	460	3360	11,3	59	71	72	72	65	74	85	649	40
TM 6 T WL-10	10	7,5	20	460	3380	14,2	73	77	78	78	65	74	85	678	43,5
TM 6 T WL-12.5	12,5	9,3	20	460	3390	17,4	90	78	79	79	65	74	85	758	50
TM 6 T WL-15	15	11	20	460	3400	19,6	101	80	81	81	67	76	87	800	55
TM 6 T WL-17.5	17,5	13	20	460	3410	23,4	121	80	81	81	66	75	86	851	60
TM 6 T WL-20	20	15	20	460	3440	27,3	141	79	80	80	66	75	86	911	65
TM 6 T WL-25	25	18,5	20	460	3450	34,5	178	79	80	80	64	73	84	973	72
TM 6 T WL-30	30	22	20	460	3460	40,1	207	80	81	81	65	74	85	1.006	76
TM 6 T WL-35	35	26,5	26,5	460	3470	47,1	242	81	82	82	66	75	86	1.106	87
TM 6 T WL-40	40	30	26,5	460	3480	53,4	272	81	82	82	66	75	86	1.217	98
TM 6 T WL-50	50	37	26,5	460	3490	66,6	341	80	81	81	66	75	86	1.247	103
TM 6 T WL-60	60	45	26,5	460	3490	82,1	415	80	81	80	66	75	86	1.347	110

Tork Pumps has the rights of specification amendments due to the continuous R&D improvements.

TM 7 T WL - 60Hz

PE2+PA Winding Wired Submersible Motors



8" Nema Connection Standart / Water Lubricated / 192 mm Outside Diameter / Three Phase / 60Hz

60Hz Performance Data

Motor Type	P _N		Axial Load kN	Voltage V	n _N rpm	I _N A	I _A A	Efficiency (% load)			Cos φ (% load)			Length mm	Weight kg
	HP	kW						50	75	100	50	75	100		
TM 7 T WL-30	30	22	45	460	3480	38,2	194	82	83	83	77	83	87	840	81
TM 7 T WL-35	35	26,5	45	460	3480	45,0	230	83	84	84	77	83	87	890	86
TM 7 T WL-40	40	30	45	460	3480	52,1	260	84	85	84	77	83	87	940	91
TM 7 T WL-50	50	37	45	460	3480	61,4	311	84	85	85	79	86	89	980	103
TM 7 T WL-60	60	45	45	460	3470	74,7	379	84	85	85	77	85	89	1.060	113
TM 7 T WL-70	70	52	45	460	3480	87,2	443	84	85	85	79	84	88	1.139	127
TM 7 T WL-80	80	60	45	460	3460	100,7	473	84	85	85	79	84	88	1.250	149
TM 7 T WL-90	90	67	45	460	3460	112,4	528	84	85	85	79	84	88	1.282	160

Tork Pumps has the rights of specification amendments due to the continuous R&D improvements.

TM 8 T WL - 60Hz

PE2+PA Winding Wired Submersible Motors



6" Nema Connection Standart / Water Lubricated / 172 mm Outside Diameter / Three Phase / 8" Slimline Edition / 60Hz

60Hz Performance Data

Motor Type	P _N		Axial Load kN	Voltage V	n _N rpm	I _N A	I _A A	Efficiency (% load)			Cos φ (% load)			Length mm	Weight kg
	HP	kW						50	75	100	50	75	100		
TM 8 T WL-40	40	30	45	460	3450	51,0	258	83	83	82	82	86	90	996	120
TM 8 T WL-50	50	37	45	460	3460	61,4	308	85	85	84	82	86	90	1.056	129
TM 8 T WL-60	60	45	45	460	3460	74,8	382	85	85	84	82	86	90	1.116	138
TM 8 T WL-70	70	52	45	460	3450	85,3	431	85	85	84	83	87	91	1.201	152
TM 8 T WL-75	75	55	45	460	3450	90,2	458	85	85	84	83	87	91	1.286	170
TM 8 T WL-80	80	60	45	460	3450	99,6	509	85	85	84	82	86	90	1.286	170
TM 8 T WL-90	90	67	45	460	3450	111,2	563	85	85	84	82	86	90	1.341	185
TM 8 T WL-100	100	75	45	460	3450	123,1	625	85	85	84	82	86	91	1.366	186
TM 8 T WL-110	110	81	55	460	3430	134,4	681	85	85	84	82	86	90	1.391	195
TM 8 T WL-125	125	92	55	460	3430	152,8	770	85	85	84	82	86	90	1.471	210
TM 8 T WL-135	135	100	55	460	3430	166,0	837	85	85	84	82	86	90	1.536	225
TM 8 T WL-150	150	110	55	460	3430	182,6	920	85	85	84	82	86	90	1.601	235

Tork Pumps has the rights of specification ammendments due to the continous R&D improvements.

TM 10 T WL - 60Hz

PE2+PA Winding Wired Submersible Motors



8" Nema Connection Standart / Water Lubricated / 231 mm Outside Diameter / Three Phase / 60Hz

60Hz Performance Data

Motor Type	P _N		Axial Load kN	Voltage V	n _N rpm	I _N A	I _A A	Efficiency (% load)			Cos φ (% load)			Length mm	Weight kg
	HP	kW						50	75	100	50	75	100		
TM 10 T WL/110	110	81	75	460	3490	131,5	663	84	84	84	87	90	92	1.310	228
TM 10 T WL/125	125	92	75	460	3500	149,4	748	84	84	84	87	90	92	1.370	256
TM 10 T WL/150	150	110	75	460	3500	180,5	910	84	85	84	86	89	91	1.430	284
TM 10 T WL/175	175	129	75	460	3510	207,0	1.050	85	86	85	87	90	92	1.510	311
TM 10 T WL/200	200	147	75	460	3500	236,0	1.197	85	85	85	87	90	92	1.610	338
TM 10 T WL/225	225	166	75	460	3490	266,2	1.347	85	85	85	87	90	92	1.740	370
TM 10 T WL/250	250	185	75	460	3490	297,0	1.502	85	85	85	87	90	92	1.820	400
TM 10 T WL/300	300	220	75	460	3490	353,1	1.786	85	85	85	87	90	92	1.820	405

Tork Pumps has the rights of specification ammendments due to the continous R&D improvements.

professional water handling

20181219-VHTV2-V1d-B1



AMAC MACHINERY & SOFTWARE CO.
Ankara Cd. Mavi Plaza No:47/105 Bayrakli, Izmir / Turkey • T: +90 232 502 80 44
info@torkpumps.com • www.torkpumps.com